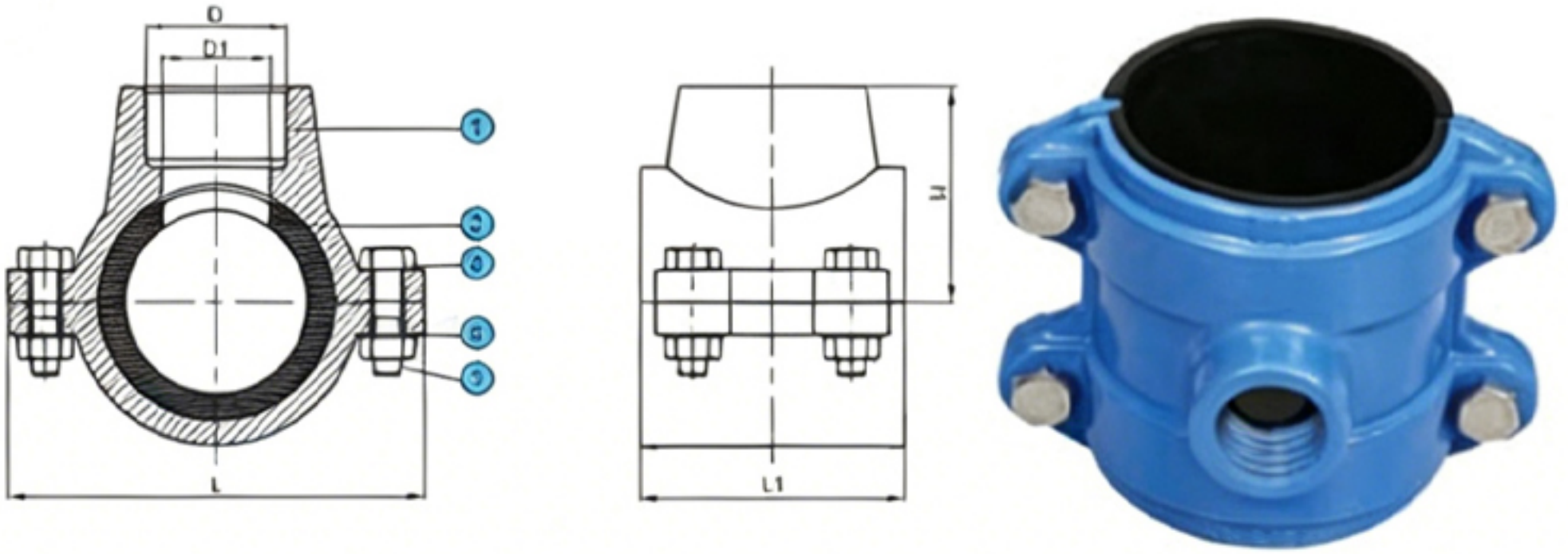


# Technical Parameters of Pipe Saddle Clamp



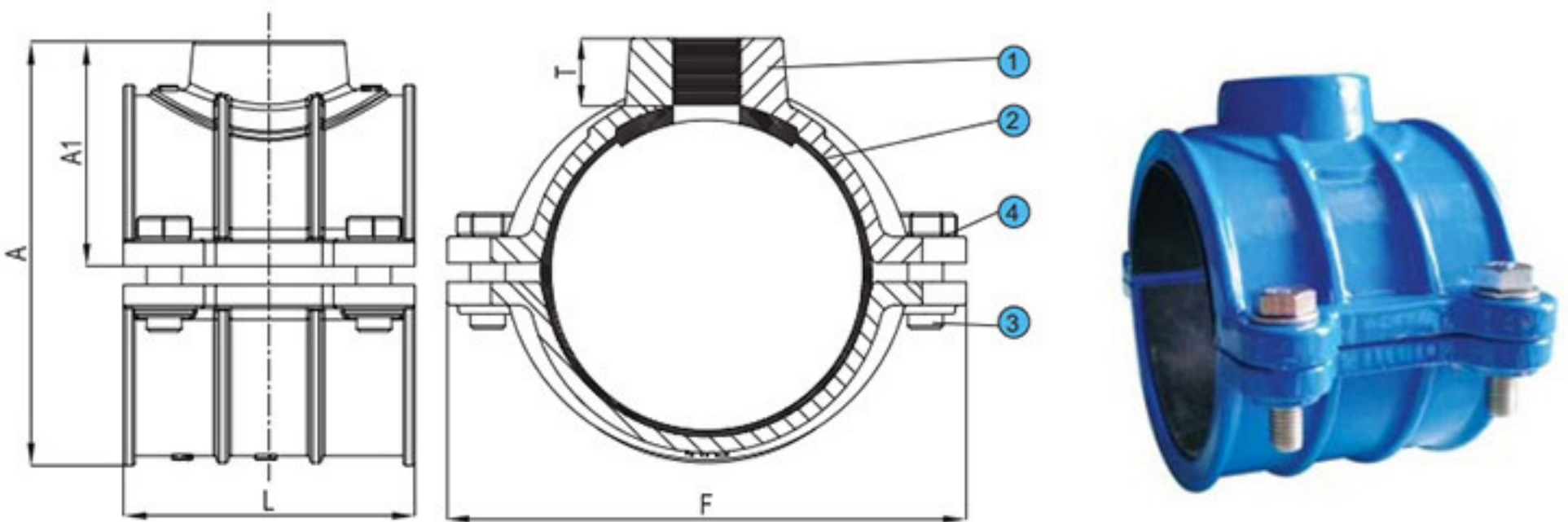
## Features

- Allows full screwing to guarantee the saddle waterproof.
- Ductile Iron GGG50 material with FBE coated.
- PN10,PN16 working pressure.
- Equipped with galvanized steel bolts, nuts.
- EPDM or NBR rubber seals .

## Material Specification:

Item No.	Parts Name	Material	Specification
1	Body	Ductile Iron	GJS500-7
2	Rubber Seal	Rubber	EPDM
3	Bolt	Zinc Plated Steel	ISO898-1:1999
4	Nut	Zinc Plated Steel	ISO898-2:1992
5	Washer	Zinc Plated Steel	

## Fig. T501



## ◆ Features

- Ductile Iron GGG50 material with FBE coated.
- PN10,PN16 working pressure.
- Equipped with Galvanized Steel bolts, nuts.
- EPDM or NBR rubber seals .

## ◆ Material Specification:

No.	Parts Name	Material	Specification
1	Body	Ductile Iron	GGG50
2	Gasket	Rubber	EPDM
3	Bolt	Galvanized Steel	ISO898-1:1999
4	Washer	Galvanized Steel	

Other Fasteners like Dacromet Coated Steel or Teflon Coated Stainless Steel are all available on request.

## ◆ Dimensions(mm)

Pipe OD	D	L	A	A1	F	T	Bolt Size	Weight(kg)
40	3/4"-1"	70	74	43	100	18	M8*30	1.1
50	3/4"-1"	80	84	48	114	18	M10*35	1.7
63	3/4"-2"	90	97	54	127	18	M10*35	1.8
75	3/4"-2"	100	110	61	144	18	M10*35	2.2
90	3/4"-2"	100	124	70	156	20	M10*35	2.5
110	3/4"-2"	100	144	80	178	20	M10*35	3
125	3/4"-2"	110	160	90	197	20	M12*35	3.3
140	3/4"-2"	125	176	97	212	20	M12*35	4.5
160	3/4"-2"	125	198	109	233	20	M12*35	5.2
200	3/4"-3"	140	240	131	282	20	M14*40	6.6
225	3/4"-2"	125	266	144	307	20	M14*40	9.5
250	3/4"-3"	140	291	156	334	20	M14*40	10.5
315	3/4"-3"	140	356	189	400	20	M14*40	14.5